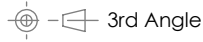


Technical Information



Design

BSEN40, PD6547: 2004+A1: 2009 (No sign)

Load class B

Deflection class 3

Head load- See Table

Finish

Galvanised to BSEN 1461:2009

Welding

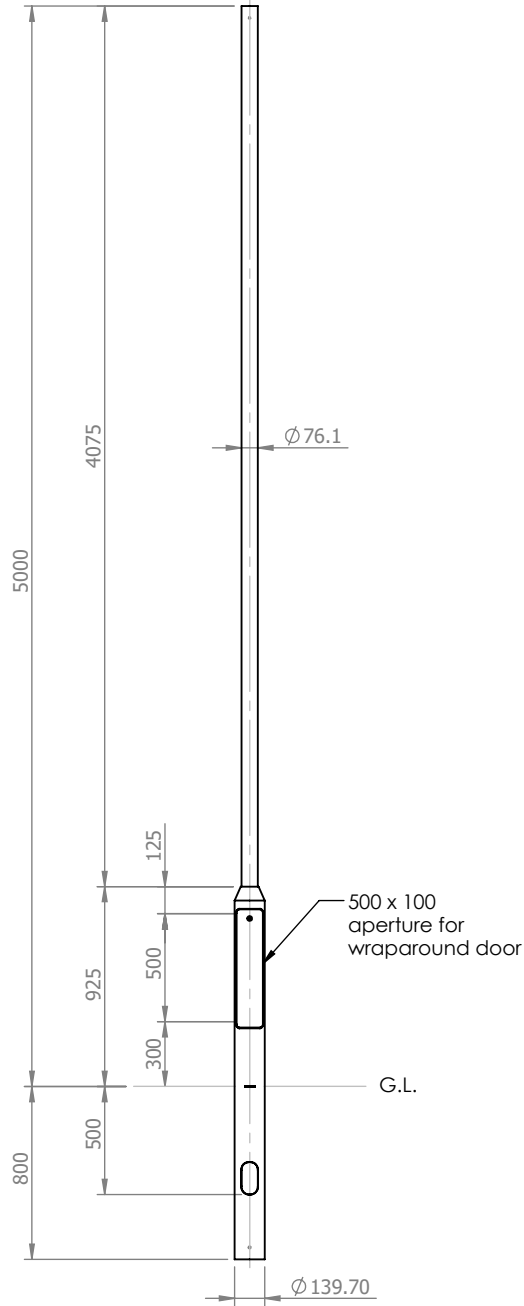
In accordance with BSEN1011

Procedures to BSEN ISO 15614-1:2017

Welders qualified to BSEN ISO 9606-1:2017

\* Maximum design head load based on wind loading region with orientation of bracket/ luminaire(s) being on same plane as door

Maximum Loading including Bracket		
Wind Loading Region	Terrain Category	Weight/Area
Extra Light	II	75kg/0.75m <sup>2</sup>
	III	85kg/0.90m <sup>2</sup>
Light	II	70kg/0.65m <sup>2</sup>
	III	80kg/0.78m <sup>2</sup>
Medium	II	60kg/0.60m <sup>2</sup>
	III	73kg/0.72m <sup>2</sup>
Heavy	II	50kg/0.55m <sup>2</sup>
	III	65kg/0.66m <sup>2</sup>
Extra Heavy	II	45kg/0.43m <sup>2</sup>
	III	53kg/0.52m <sup>2</sup>



2013 © Copyright

*fabrikat*

Nottingham Limited, Hamilton Road,  
Sutton in Ashfield Notts. NG17 5LN

www.fabrikat.co.uk

technical@fabrikat.co.uk

Tel.01623 442200

Fax.01623 442233

Notes

All dimensions in millimetres unless stated otherwise.

When Multiple views are shown 3rd Angle Projection is assumed.

Revisions		
Rev.	Description	Date
1	Loading Table Added	4/12/13
2	Wall Thickness and Grade Added	15/12/2015
3	Wall Thickness and Grade Removed	22/03/2022

Title

5 Metre Tubular Post Top Column

Drg No. 28346-3

Scale:1:35

Sheet 2 of 2

Drawn By: MJB

Chk'd: MHW

Ref. 5M01A

Contract:

Customer:

Date: 04/12/2013