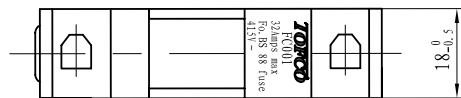
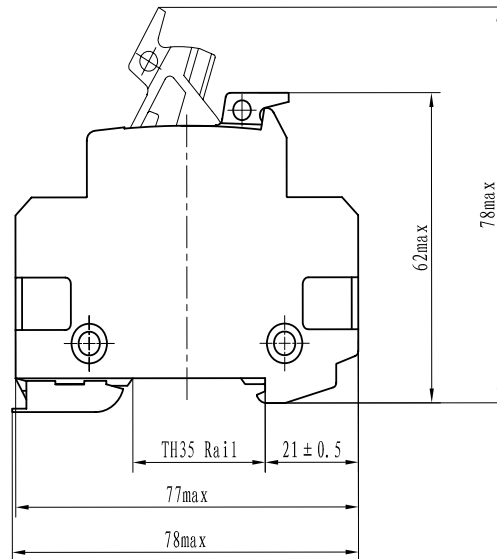
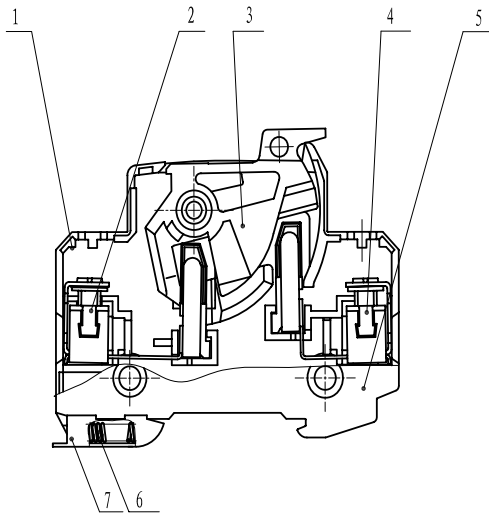


TOFCO FC001 FUSE CARRIER



7	MR8.140.610	Rail Block
6	MR8.281.608	Spring
5	MR8.300.031	Housing Cover
4	MRS.574.029	Wire Block
3	MR8.109.642	Toggle
2	MRS.574.030	Wire Block
1	MR8.300.034	Housing

Unit –
 17.5mm wide
 62mm high - closed
 78mm high - open
 78mm length

SPECIFICATION

- Rated Voltage: 415 V
- Rated Current: 32 A
- Rated conditional short circuit current: 80 kA
- Rated Frequency: 50Hz
- Characteristics: gG
- IEC 60269-2:2006-11
- Accepts BS88: Part 2 & IEC 60269-2 29mm x 12.7mm cylindrical
- Used in TOFCO Isolator unit, can be linked/bridged if required

