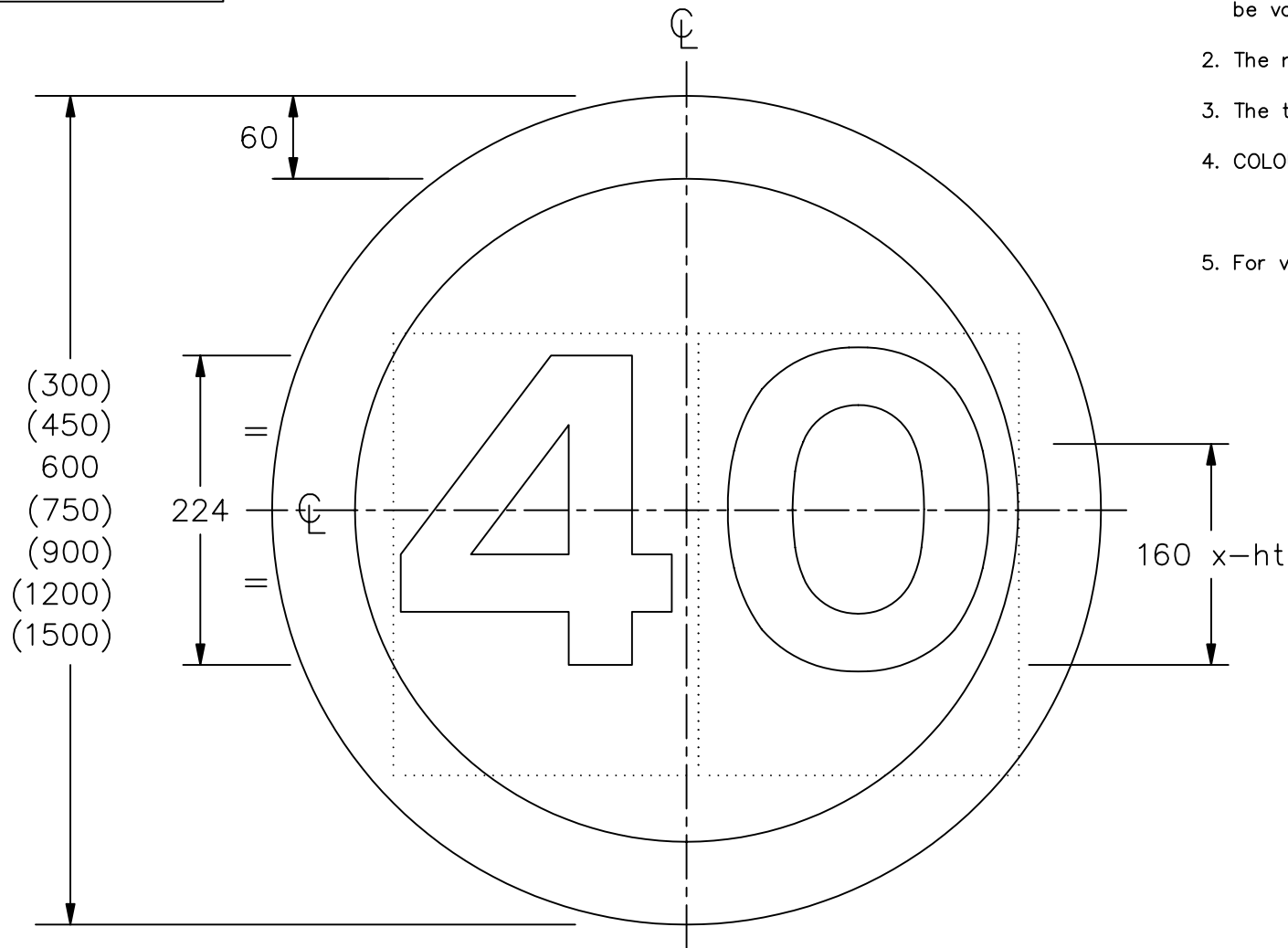


- NOTES: 1. All 600mm sign dimensions, including x-height, shall be varied proportionally for the other roundel sizes.
2. The numerals are from the Transport Heavy alphabet.
3. The tile outlines do not form part of the sign.
4. COLOURS : Background ---- WHITE
 Border ----- RED
 Numerals ----- BLACK
5. For variants see sheet 2.



P670-1

Before using this drawing, confirm that it has not been superseded.

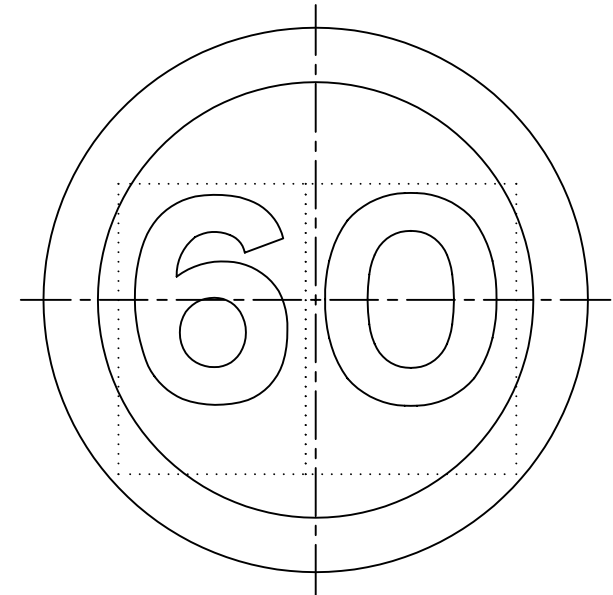
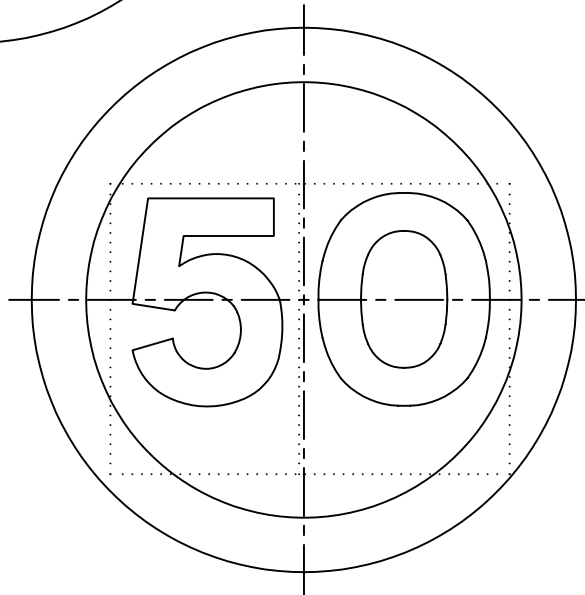
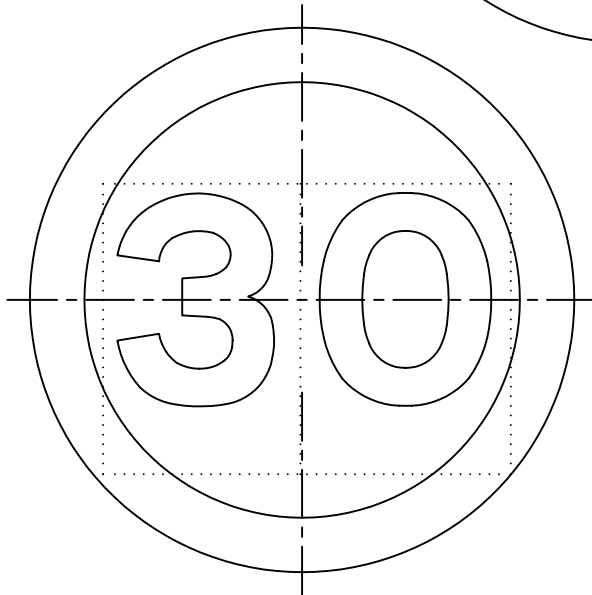
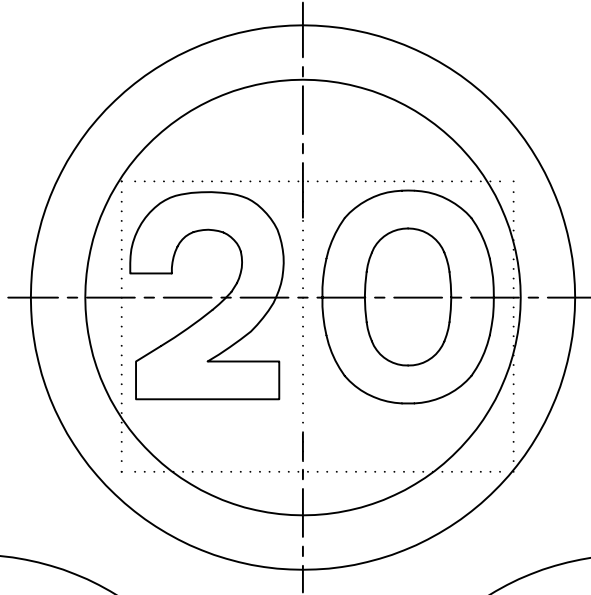
Department for Transport	Title:	Regulatory Sign	Issue:	Date:	Drawn by:	Dimensions:	Drawing No.
		MAXIMUM SPEED LIMIT IN MILES PER HOUR	A:	27.7.94	S.P.	MILLIMETRES	P 670 sheet 1 of 2
			B:	27.1.04	Approved by:		
			C:		R.M.		

Drawing No.

P 670 sheet
2 of 2

© CROWN COPYRIGHT

- NOTES: 1. The numerals are from the Transport Heavy alphabet.
2. The tile outlines do not form part of the sign.
3. COLOURS : Background --- WHITE
Border ----- RED
Numerals ----- BLACK
4. For dimensions see sheet 1.



P670-2

Before using this drawing, confirm that it has not been superseded.

*Department for
Transport*

Title: Regulatory Signs
MAXIMUM SPEED LIMIT
IN MILES PER HOUR

Issue: Date:
A: 27.7.94
B: 27.1.04
C:

Drawn by: L.W.
Approved by: R.M.

Dimensions:
SEE
NOTE 4

Drawing No.
P 670
sheet 2 of 2