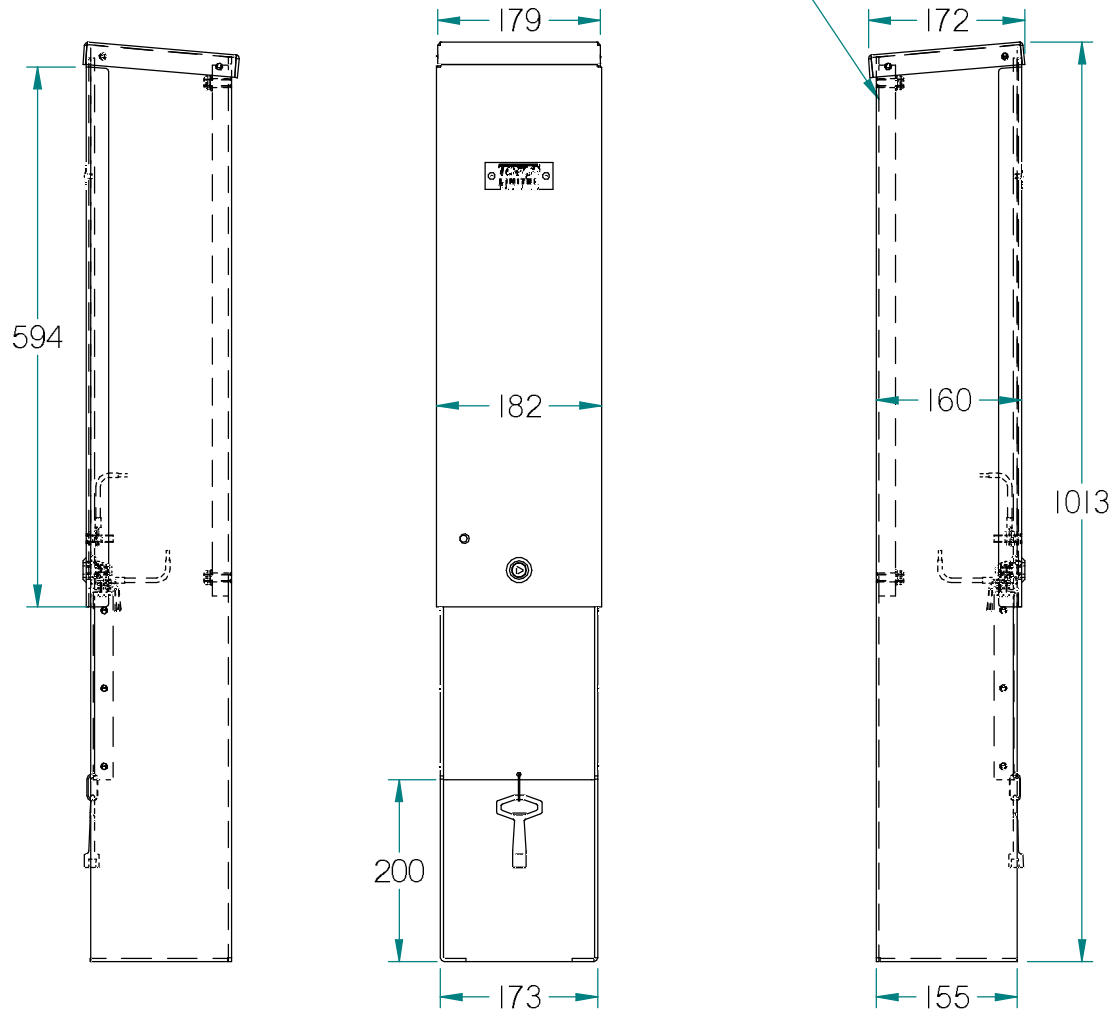
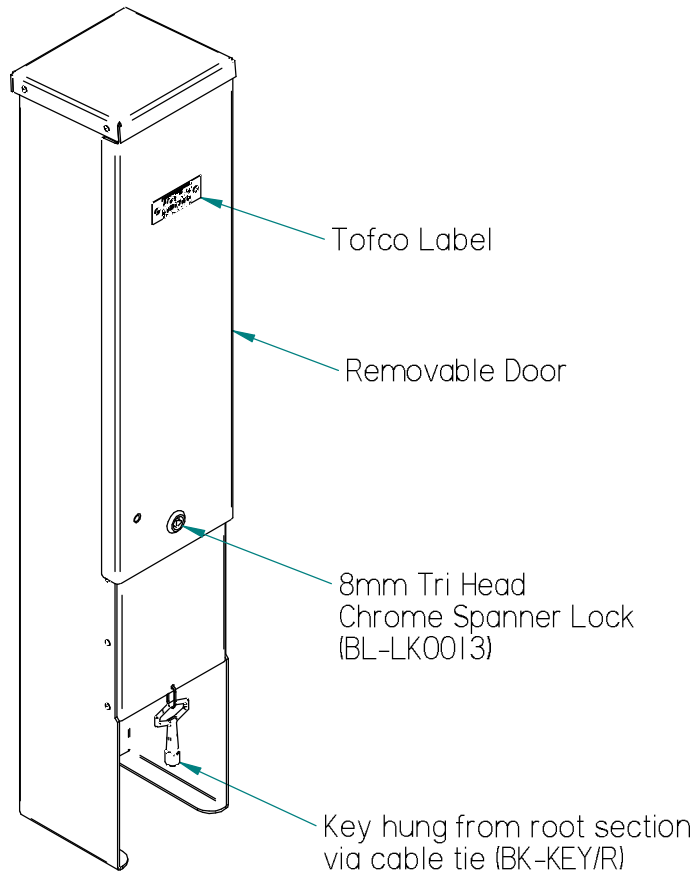


Backboard: 585 x 155 x 18mm - exterior grade ply-wood treated with anti-fungacidal preservative



Material: 3mm Mild Steel - Finish: Post production HDG to BSEN1461
 Material: 3mm Galv Steel - Finish: Zinc rich primer + Powder coated Leatherette (Colour TBC)
 Approx weight: 17.6 KG

Remove all bend reliefs when programming.
 All folded corner seams must be tight (no gaps)
 Dimensions: mm, Tolerance: +/- 0.25mm

REVISION No.	DESCRIPTION OF MODIFICATION	DATE	TOFCO CPP LTD		DRAWING TITLE:	SHEET	DRAWN	CHECKED	APPROVED	DATE
01	Door modified	20/2/19			FP038 Feeder Pillar (Weld free design)	1 of 8	DGB	DGB	DGB	1/2/19
<small>THIS DOCUMENT IS THE PROPERTY OF TOFCO CPP LIMITED AND IS SUPPLIED IN CONFIDENCE. IT MUST NOT BE USED FOR ANY PURPOSE OTHER THAN THAT FOR WHICH IT IS SUPPLIED, AND MUST NOT BE REPRODUCED WITHOUT PERMISSION IN WRITING FROM THE OWNER.</small>						<small>PART No.</small> A-FP038/3104		<small>DRAWING No.</small> FPA 038		