

super 6 / SS6 / SS3

Super 6

10 YEAR WARRANTY

Especially designed to guarantee maximum operating life through use of the highest grade components including ultra long-life capacitors and through-hole plating.



SS6

A technical breakthrough in photocell technology utilising the finest optical photodiode to ensure extremely accurate switching. Incorporates state-of-the-art circuit design. It is available with either a NEMA socket, or for conduit mounting.



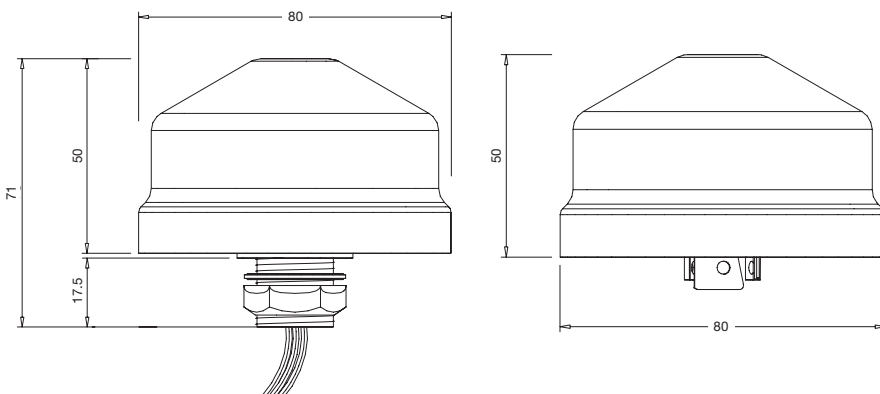
SS3

Robust and proven circuitry (similar to that of the SS6) ensures long, accurate and trouble-free life whilst incorporating a filter system that results in reduced manufacturing costs and a corresponding price benefit.

super 6 / SS6 / SS3

specification

Model	super 6	SS6	SS6C	SS3
Type	One Part	One Part	One Part	One Part
Electronic Solid State	✓	✓	✓	✓
Electronic EM Relay Load Switching				
Supply Voltage 50/60Hz AC	198-264	198-264	198-264	198-264
70 Lux Switch-On Level	✓	✓	✓	✓
55 Lux Option	✓	✓	✓	✓
35 Lux Option	✓	✓	✓	✓
Switching Differential				
	1:0.5 NEG	1:0.5 NEG	1:0.5 NEG	1:0.5 NEG
Maximum total load for discharge lighting (eg. HPS, MH) (watts)				800
Maximum total load for incandescent lighting (watts) / Maximum VA				
Switching Delay In Seconds	10-15	10-15	10-15	10-15
Polycarbonate Enclosure (UV Stabilised)	✓	✓	✓	✓
Power Consumption (watts)	<0.25	<0.25	<0.25	<0.25
Sensor Type	Filtered Photodiode	Filtered Photodiode	Filtered Photodiode	Filtered Photodiode
Sensor Drift	Negligible	Negligible	Negligible	Negligible
Fixing	NEMA	NEMA	20mmConduit	NEMA
Max Operating Ambient Temp Range (°C)	-20/+80	-20/+80	-20/+80	-20/+80
IP Rating Installed	IP67	IP65	IP65	IP65
IP67 option	standard	✓		✓
VDR Voltage Suppression	✓	✓	✓	✓
Additional Features	Zero Cross Switching / Ultra Long Life Components / 10 Year Warranty/	Zero Cross Switching	Zero Cross Switching	Zero Cross Switching



Dimensions