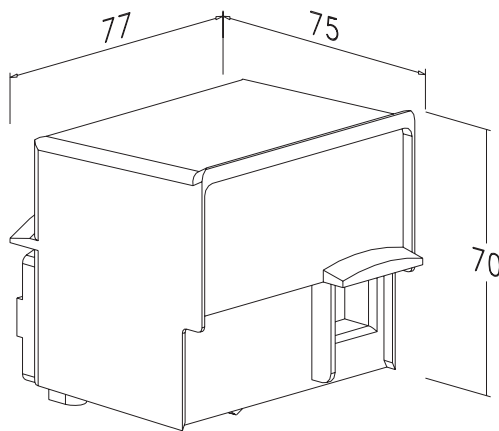




This two part photocell is the ideal alternative where one part photocells are undesirable. The SS55B incorporates the precise photo ic sensor as standard. Sensors and bases are not matched and may be freely interchangeable*.

*Please Note SS55B is not compatible with older units fitted with Cadmium Sulphide Sensors. The sensor needs to be replaced if fitting a new relay unit.

Model	SS55B
Type	Two Part
Electronic Solid State	✓
Electronic EM Relay Load Switching	
Supply Voltage 50/60Hz AC	198-264
70 Lux Switch-On Level	✓
55 Lux Option	✓
35 Lux Option	✓
Switching Differential	1:0.5 NEG
Maximum total load for discharge lighting (eg. HPS, MH) (watts)	500
Maximum total load for incandescent lighting (watts) / Maximum VA	1200
Switching Delay In Seconds	10-15
Polycarbonate Enclosure (UV Stabilised)	✓
Power Consumption (watts)	<0.25
Sensor Type	Photo IC
Sensor Drift	Negligible
Fixing	Sensor mounting hole: 14mm
Max Operating Ambient Temp Range (°C)	-20/+55
IP Rating Installed	Sensor: IP65 Unit: IP20
IP67 option	
VDR Voltage Suppression	✓
Additional Features	Zero Cross Switching



Dimensions

