

Product Technical Data Sheet:

Copper Tube Terminals & Associated Tooling

Description

Our high quality copper tube terminals are manufactured with an inspection window to enable a visual check prior to the crimping process, ensuring that the cable wire is correctly positioned inside the terminal.

The stud end is seamless and has been stamped closed, to minimise any potential moisture ingress.



Applications

Our Copper tube terminals are used by auto electricians, telecom engineers, and panel builders.

Specifications

Material:

High conductivity copper tube having an electroplated finish to BS 1872 with a 3 μ nominal tin coating, to improve corrosion resistance and enhanced electrical conductivity. Copper to BSEN 1976:2012 specification with the purity measured at 99.9% and annealed to ASTM B111 C11000.

Operating Temperature:

The Copper tube terminals can operate up to 180°C

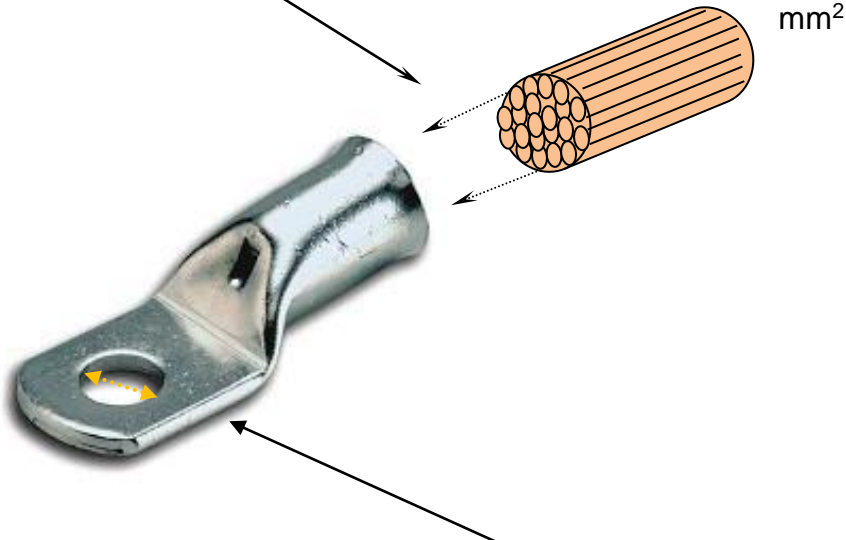
Dimensional:

The internal barrel diameters are manufactured to suit industry standard cables as defined by BSEN 60228:2005 with various stud sizes available.

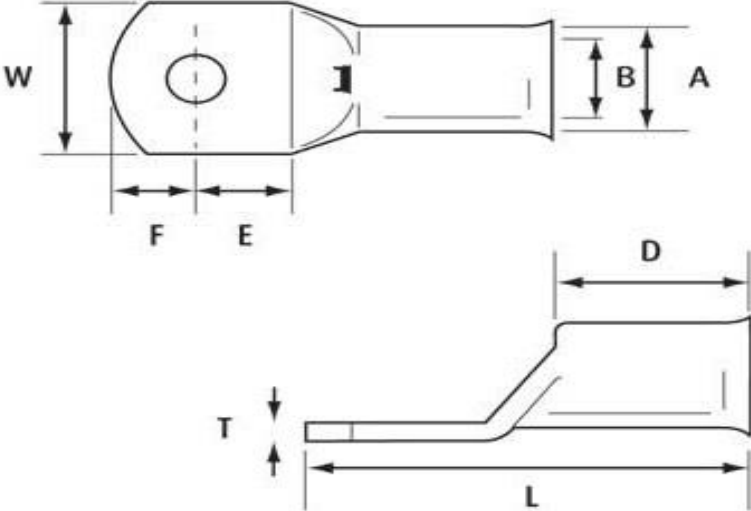
Features:

- Bell shaped entry to allow easier cable insertion on all sizes.
- A full range of sizes are available from stock up to 400mm²
- (larger sizes can be requested from our sales team).

Cable cross-sectional area in mm²



Various sizes of Stud hole diameter in mm



Partex ref Cable cross sectional area = 1.5mm²

Stud hole diameter = 4mm

Col

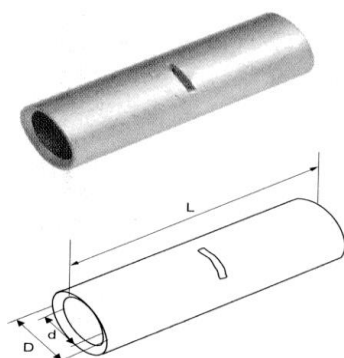
1.5

4

Product ref	Barrel length mm	Palm width mm	Centre hole to edge mm	Palm length mm	Stud diameter mm	Hole ID mm ²	Hole OD mm	Total Length mm
	D	W	F	F + E	Hole	B	A	L
COL 1.5-4	8	8	4	9	4.2	1.8	3.7	19
COL 1.5-5	8	8	4	10	5.2	1.8	3.7	20
COL 2.5-4	8	8.7	4.5	10	4.5	2.4	4.0	20
COL 2.5-5	8	8.7	5.2	11	5.2	2.4	4.0	21
COL 2.5-6	8	10.3	6.2	13	6.2	2.4	4.0	23
COL 4-4	10	8.7	4.7	10	4.2	3.1	4.8	22
COL 4-5	10	8.7	5.2	11	5.2	3.1	4.8	23
COL 4-6	10	10.3	6.0	13	6.5	3.1	4.8	25
COL 4-8	10	12.5	8.0	17	8.2	3.1	4.8	29
COL 6-4	10	8.7	3.5	8	4.2	3.8	5.5	21
COL 6-5	10	10.3	4.5	10	5.2	3.8	5.5	23
COL 6-6	10	10.3	5	11	6.5	3.8	5.5	24
COL 6-8	10	12	5.9	13	8.4	3.8	5.5	26
COL 6-10	10	14	8.1	17	10.2	3.8	5.5	30
COL 10-5	10	10	5.1	12	5.2	4.5	6.2	25
COL 10-6	10	10	5.1	12	6.4	4.5	6.2	25
COL 10-8	10.5	12	7.1	15	8.4	4.5	6.2	29
COL 10-10	10.5	15	9.5	20	10.2	4.5	6.2	34
COL 10-12	10.5	17	12	25	13	4.5	6.2	39
COL 16-5	12	12	4.4	10	5.2	5.4	7.1	25
COL 16-6	12	12	5.2	11.5	6.4	5.4	7.1	27
COL 16-8	12	12.5	7.1	15	8.4	5.4	7.1	31
COL 16-10	12.5	15	8.0	18	10.4	5.4	7.1	36
COL 16-12	12.5	17	11	23	13	5.4	7.1	41
COL 25-5	12.5	13	6.5	13.5	5.2	7	8.8	30
COL 25-6	12.5	13	6.5	13.5	6.4	7	8.8	30
COL 25-8	12.5	14	7.1	15	8.4	7	8.8	32
COL 25-10	12.5	16	9	20	10.4	7	8.8	37
COL 25-12	12.5	18	10	24	13	7	8.8	41
COL 35-6	15	16	7.5	16	6.4	8.6	10.8	36
COL 35-8	15	16	7.5	16	8.4	8.6	10.8	36
COL 35-10	15	16	9	20	10.4	8.6	10.8	40
COL 35-12	15	18	11.5	24	13	8.6	10.8	44
COL 35-14	15	19.8	14	27	14.6	8.6	10.8	47
COL 35-16	15	23	16	29	17	8.6	10.8	49

COL 50-6	16	17.5	9.7	20	6.4	9.6	11.8	42
COL 50-8	16	17.5	10.1	20	8.4	9.6	11.8	42
COL 50-10	16	17.5	10	20	10.4	9.6	11.8	42
COL 50-12	16	17.5	9.5	20	13	9.6	11.8	42
COL 50-14	16	17.5	11.9	24	15	9.6	11.8	46
COL 50-16	16	24	14.5	30	17	9.6	11.8	52
COL 70-6	18	22	10.7	22	6.4	12	15	50
COL 70-8	18	22	10.7	22	8.4	12	15	50
COL 70-10	18	22	11	22	10.4	12	15	54
COL 70-12	18	22	10.5	22	13	12	15	54
COL 70-14	18	22	13.5	28	14.5	12	15	63
COL 70-16	18	22	14	29	17	12	15	63
COL 95-8	20	24.4	12.1	24	8.4	13.5	16.5	52
COL 95-10	20	24.4	12.1	24	10.4	13.5	16.5	52
COL 95-12	20	24.4	12.2	24	13	13.5	16.5	52
COL 95-14	20	24.4	14	28	15	13.5	16.5	56
COL 95-16	20	24.4	13.5	28	17	13.5	16.5	56
COL 120-8	22	27.8	11	23	8.4	15	19	55
COL 120-10	22	27.8	12.1	23	10.5	15	19	55
COL 120-12	22	27.8	11.4	23	13	15	19	55
COL 120-14	22	27.8	13	27	15	15	19	59
COL 120-16	22	27.8	13	27	17	15	19	59
COL 120-20	22	27.8	18	37	21	15	19	69
COL 150-8	27	30.7	13.5	27	8.4	16.5	21	64
COL 150-10	27	30.7	13.5	27	10.5	16.5	21	64
COL 150-12	27	30.7	13.5	27	13	16.5	21	64
COL 150-14	27	30.7	13.5	27	15	16.5	21	64
COL 150-16	27	30.7	13.0	27	17	16.5	21	64
COL 150-20	27	30.7	17	35	21	16.5	21	72
COL 185-10	27	33.5	14.2	29.5	10.5	19	23.1	67
COL 185-12	27	33.5	14.4	29.5	13	19	23.1	67
COL 185-14	27	33.5	14.4	29.5	15	19	23.1	67
COL 185-16	27	33.5	14.4	29.5	17	19	23.1	67
COL 185-20	27	33.5	18.5	37.5	21	19	23.1	75
COL 240-10	33	37.6	15.2	30	10.5	21	26	76
COL 240-12	33	37.6	15.4	30	13	21	26	76
COL 240-14	33	37.6	15	30	15	21	26	76
COL 240-16	33	37.6	14.7	30	17	21	26	76
COL 240-20	33	37.6	17.7	36	21	21	26	82
COL 300-10	42	44	18	37	10.5	24.5	30	95
COL 300-12	42	44	18	37	13	24.5	30	95
COL 300-14	42	44	18	37	15	24.5	30	95
COL 300-16	42	44	18	37	17	24.5	30	95
COL 300-20	42	44	18	37	21	24.5	30	95
COL 400-12	44	47.2	19.5	40	13	27	32.2	102
COL 400-14	44	47.2	19.5	40	15	27	32.2	102
COL 400-16	44	47.2	19.5	40	17	27	32.2	102
COL 400-20	44	47.2	19.5	40	21	27	32.2	102

Partex Copper Tube Butt Terminals



Product ref	Cable Size (mm) ²	Barrel ID d mm	Barrel OD D mm	Length L mm
COL 1.5 B	1.5	1.8	3.7	16
COL 2.5 B	2.5	2.3	3.9	20
COL 4 B	4	3	4.7	20
COL 6 B	6	4	5.9	20
COL 10 B	10	4.5	6.6	23
COL 16 B	16	5.5	7.5	30
COL 25 B	25	6.7	9.1	35
COL 35 B	35	8.6	11	40
COL 50 B	50	9.5	12.4	40
COL 70 B	70	12	15	45
COL 95 B	95	13.4	17	45
COL 120 B	120	15	19	50
COL 150 B	150	16.5	21.2	55
COL 185 B	185	19	23	60
COL 240 B	240	21	26.5	60
COL 300 B	300	24.5	30	70
COL 400 B	400	27	36.5	80

PHCT 240 KIT COL Hydraulic Crimping Tool Kit



- Crimping tool kit for 10mm² to 240mm² copper tube terminals.
- Comes with a full set of interchangeable hexagonal dies: 10, 16, 25, 35, 50, 70, 95, 120, 150, and 240mm² and a robust carrying case.
- 5.2 tonnes output; 10-15mm ram stroke.
- Length 43cm (tool only).
- Weight 2.8kg (tool only).

PHCT 400 KIT COL Hydraulic Crimping Tool Kit



- Crimping tool kit for 16mm² to 400mm² copper tube terminals.
- Comes complete with 12 pairs of interchangeable hexagonal dies: 16, 25, 35, 50, 70, 95, 120, 150, 185, 240, 300 and 400mm² and a robust carrying case.
- 12 tonnes output.
- 32mm jaw opening.
- Two stage, pumping action.
- Length 62cm (tool only).
- Weight 7kg (tool only).

For the full range of Partex tooling, please consult our latest catalogue.



Issue 4
11th June 2015

www.partex.co.uk

