

Technical Information



Design

BSEN40, PD6547: 2004+A1: 2009 (No sign)

Load class B

Deflection class 3

Head load- See Table

Finish

Galvanised to BSEN 1461:2009

Welding

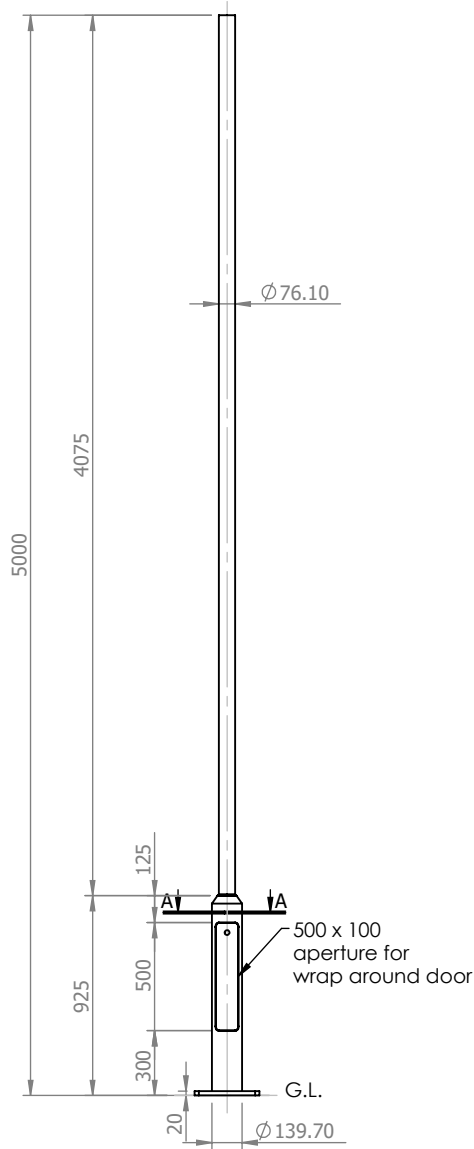
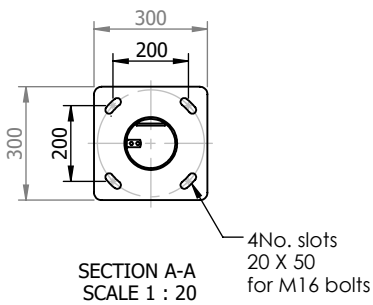
In accordance with BSEN1011

Procedures to BSEN ISO 15614-1:2017

Welders qualified to BSEN ISO 9606-1:2017

* Maximum design head load based on wind loading region with orientation of bracket/ luminaire(s) being on same plane as door

Maximum Loading including Bracket		
Wind Loading Region	Terrain Category	Weight/Area
Extra Light	II	75kg/0.75m ²
	III	85kg/0.90m ²
Light	II	70kg/0.65m ²
	III	80kg/0.78m ²
Medium	II	60kg/0.60m ²
	III	73kg/0.72m ²
Heavy	II	50kg/0.55m ²
	III	65kg/0.66m ²
Extra Heavy	II	45kg/0.43m ²
	III	53kg/0.52m ²



2020 © Copyright



Nottingham Limited, Hamilton Road,
Sutton in Ashfield Notts. NG17 5LN

www.fabrikat.co.uk

Tel.01623 442200

technical@fabrikat.co.uk

Fax.01623 442233

Notes

All dimensions in millimetres unless stated otherwise.

When Multiple views are shown 3rd Angle Projection is assumed.

Revisions		
Rev.	Description	Date
1	Loading Table Added	4/12/13

Title

5 Metre Tubular Post Top Column

Drg No. 28778-1

Scale:1:35

Sheet 1

Drawn By: MJB

Chk'd: MB

Ref. 5M01A FP

Contract:

Customer:

Date: 4/12/2013