

Technical Information

3rd Angle

Design

BSEN40, PD6547: 2004+A1: 2009 (No sign)

Load class B

Deflection class 3

Head load- See Table

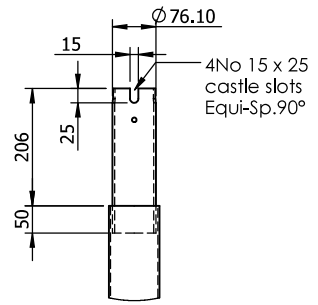
Finish

Galvanised to BSEN 1461:2009

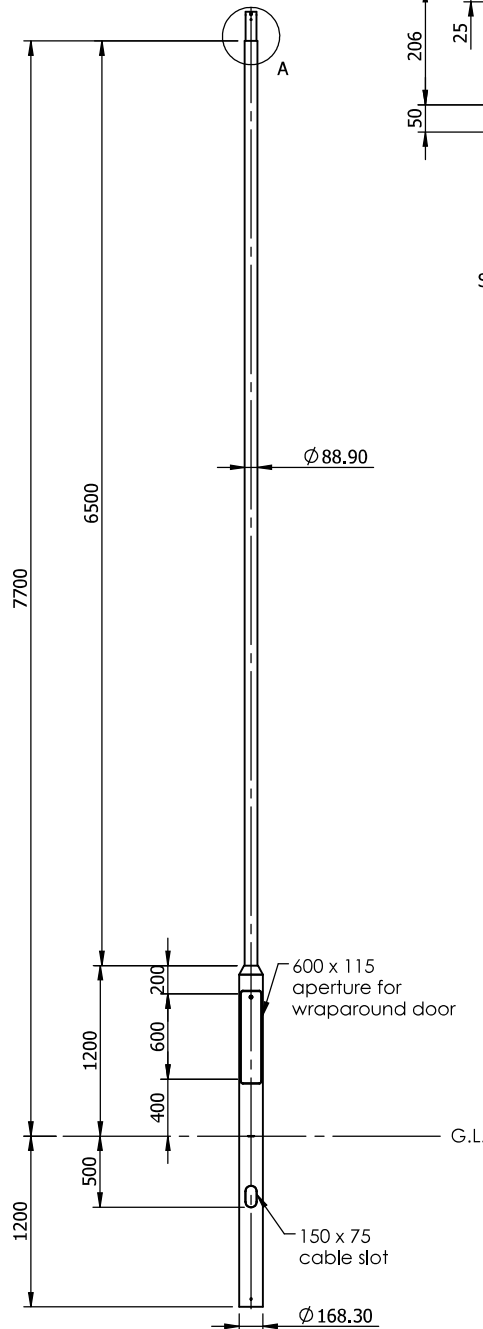
Welding

In accordance with BSEN1011
 Procedures to BSEN ISO 15614-1:2017
 Welders qualified to BSEN ISO 9606-1:2017

* Maximum design head load based on wind loading region with orientation of bracket/luminaire(s) being on same plane as door*



DETAIL A
SCALE 1 : 25



Maximum Loading including Bracket		
Wind Loading Region	Terrain Category	Weight/Area
Extra Light	I	45kg/0.40m ²
	II	55kg/0.50m ²
Light	I	40kg/0.34m ²
	II	48kg/0.43m ²
Medium	I	30kg/0.32m ²
	II	40kg/0.40m ²
Heavy	I	28kg/0.29m ²
	II	36kg/0.36m ²
Extra Heavy	I	22kg/0.22m ²
	II	30kg/0.25m ²

2020 © Copyright

fabrikat

Nottingham Limited, Hamilton Road,
 Sutton in Ashfield Notts. NG17 5LN

www.fabrikat.co.uk Tel.01623 442200
 technical@fabrikat.co.uk Fax.01623 442233

Notes

All dimensions in millimetres unless stated otherwise.

When Multiple views are shown 3rd Angle Projection is assumed.

Revisions		
Rev.	Description	Date
1	Loading Table Added	14/11/13
2	Page 2 added	29/06/2020

Title

8 Metre Tubular Post Top Column

002579 & 002582

Drg No. 28350-2

Scale:1:50

Sheet 2 of 2

Drawn By: BH

Chk'd: RB

Ref. 8M01B(7.7M)

Contract:

Customer:

Date: 29/06/2020