

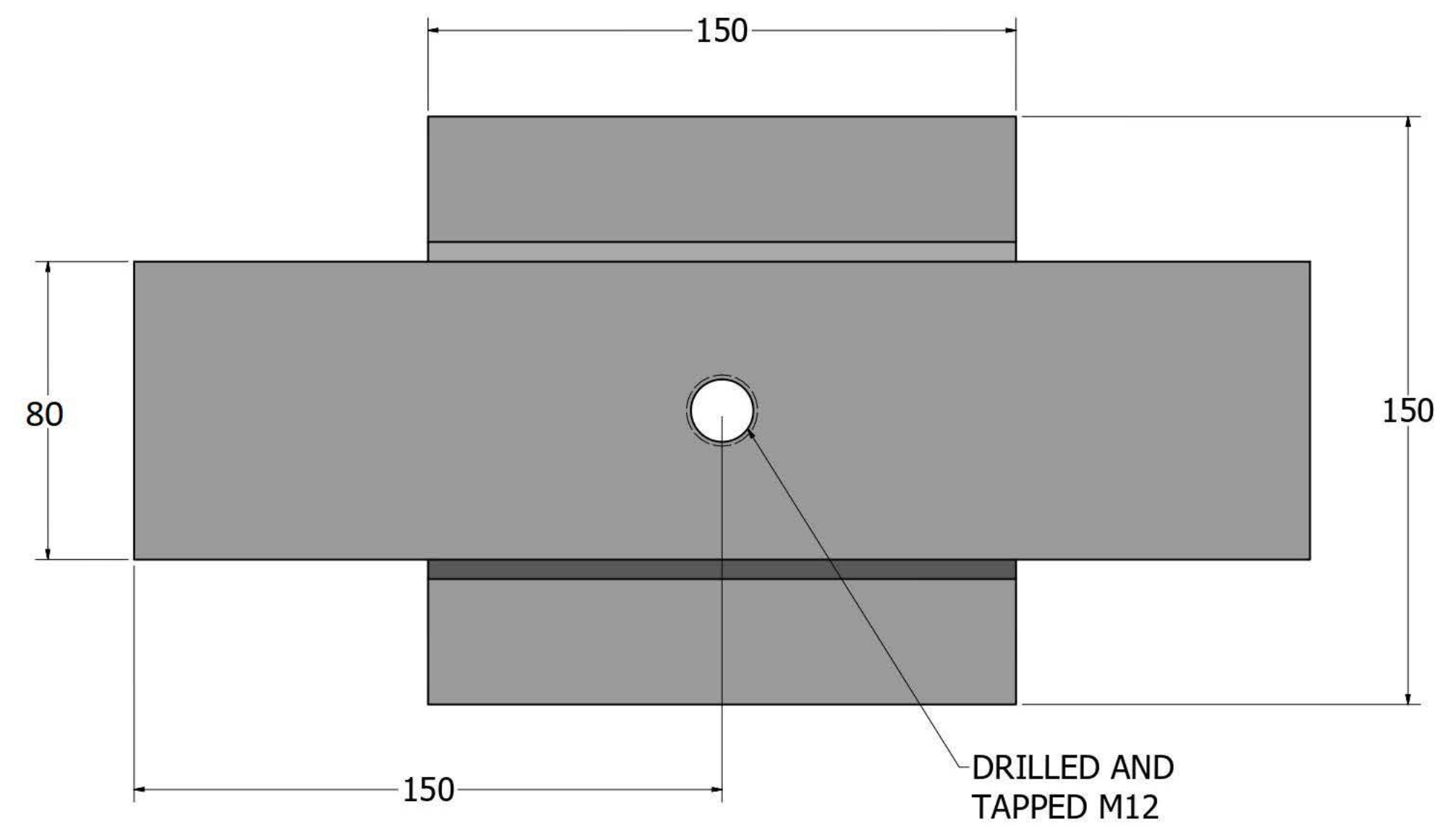
300 x 3



250

TO SUIT COLUMN

4 HOLES DRILLED AND TAPPED M10



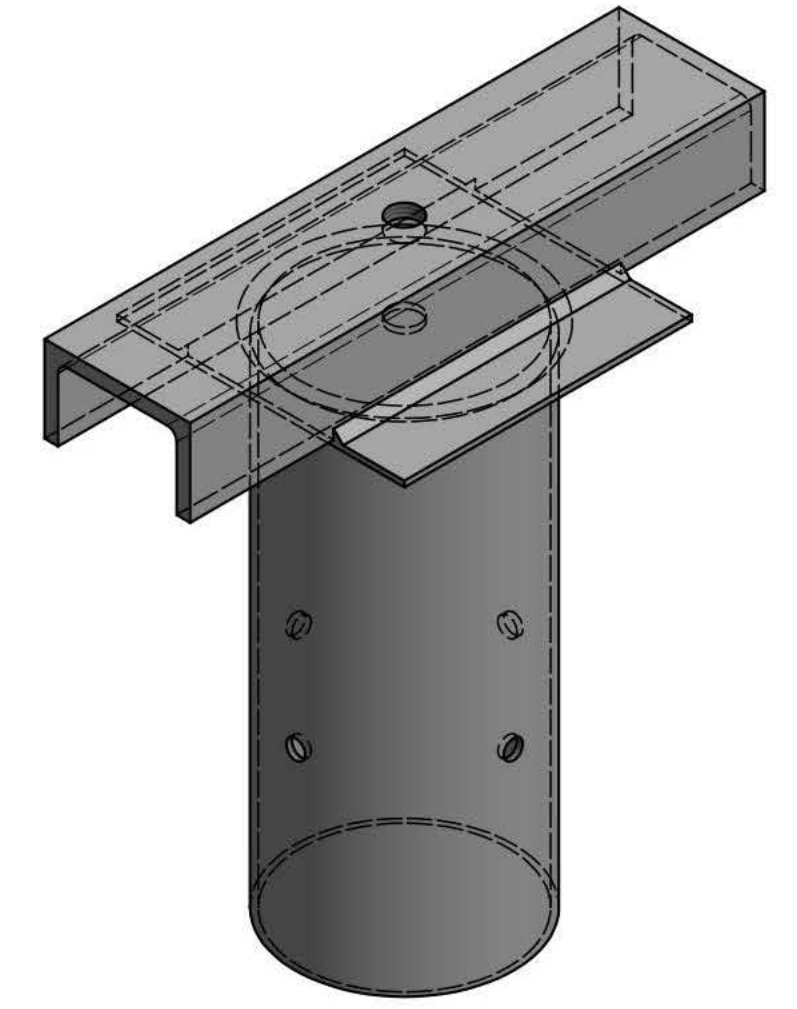
80

150

150

150

DRILLED AND TAPPED M12



TITLE			
SINGLE FLOODLIGHT BRACKET - GENERIC -			
SIZE	DWG NO	FLB1	REV
SCALE	1 / 1	SHEET 1 OF 1	