

SS14 / SS14R / SS12SL

SS14 / SS14R

The SS14 is a high-quality miniature photocell designed for commercial applications requiring positive ratio switching.



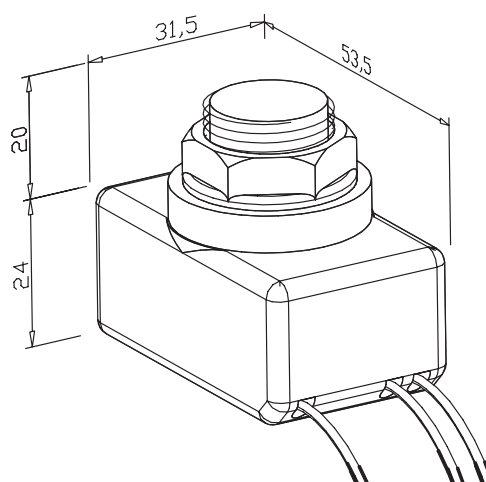
SS12SL

This product variant of the standard SS12A utilises a special sensor to provide reduced sensitivity to discharge light-sources which combined with its positive switching differential makes the product suited to applications where some stray artificial light might be encountered.

SS14 / SS14R / SS12SL

specification

Model	SS14	SS12SL
Type	Miniature	Miniature
Electronic Solid State		
Electronic EM Relay Load Switching	✓	✓
Supply Voltage 50/60Hz AC	198-264	198-264
70 Lux Switch-On Level	✓	✓
55 Lux Option		✓
35 Lux Option		
Switching Differential	1:1.5 POS	1:0.5 POS
Maximum total load for discharge lighting (eg. HPS, MH) (watts)	500	500
Maximum total load for incandescent lighting (watts) / Maximum VA	1200	1200
Switching Delay In Seconds	10-30	10-30
Polycarbonate Enclosure (UV Stabilised)	✓	✓
Power Consumption (watts)	<0.5	<0.25
Sensor Type	Photodiode	Photodiode
Sensor Drift	Negligible	Negligible
Fixing hole diameter	20mm	20mm
Max Operating Ambient Temp Range (°C)	-20/+75	-20/+75
IP Rating Installed	IP65	IP65
VDR Voltage Suppression	✓	✓
Additional Features	Predictive Transfer Remote version available	Predictive Transfer Special Signlight version



Dimensions