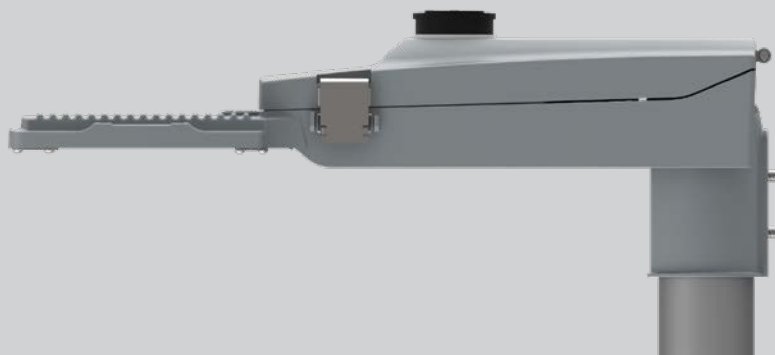
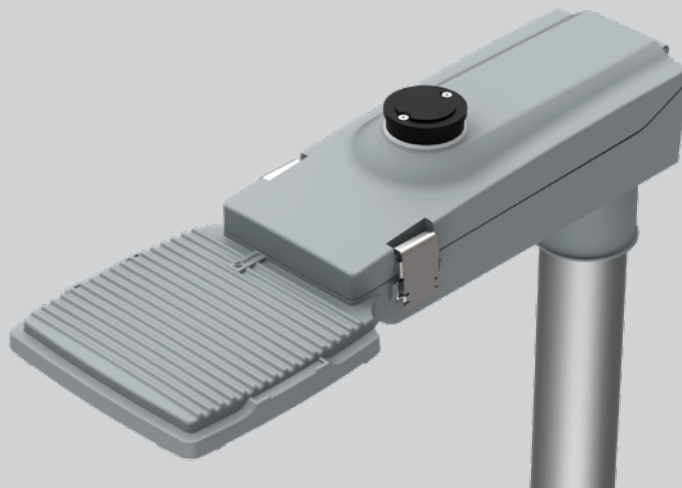
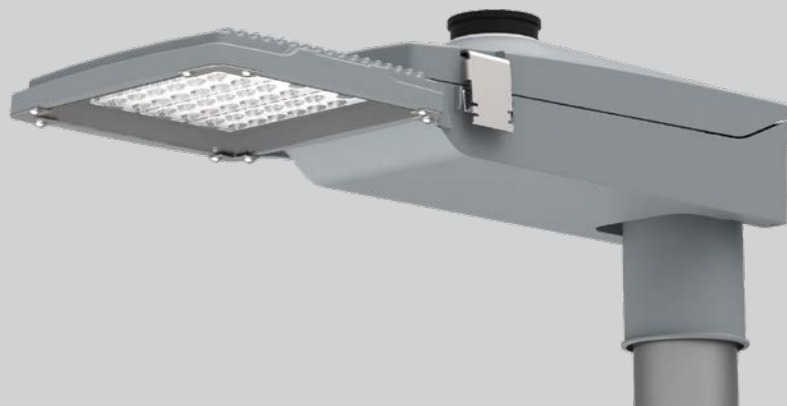


IGNIS MINI⁺

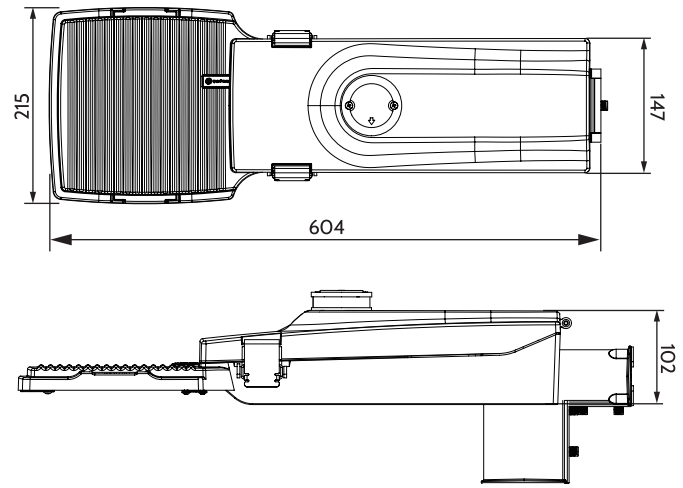
www.orangetek.co.uk



The IGNIS Mini Plus is a unique lantern that can provide outstanding lighting design options for virtually all EN13201/BS5489 requirements. Built from LM6 aluminium with full exterior and interior powder coating. It can achieve ISO12944- C5 corrosion resistance standard.

Drawing from a range of tier one LED suppliers we offer a library of lens options now with tempered glass for ease of cleaning and reduced maintenance. Our lumen packages reach up to 180lm/w, with a range from 500 lumen's up to 16000 lumen's in 1 watt increments it can deliver the design you require from P class all the way up to M class roads.

The LED engineered lantern has a number of key features that gives assurance of a long life, easy installation and simple maintenance. The benefits include a breathable valve to balance pressure, ensuring IP integrity, additional cable clamp for added security and safety, together with a spigot adjustable from -15 to +10 degrees with the option of a universal adaptor to fit any bracket size you may encounter, creating an efficient installation experience.



50+ Optic Library

No two roads are the same. Our in house optics team produce lenses bespoke to your road geometry to maximise performance in spacing and uniformity whilst minimising spill light to keep energy consumption low.



WattSet

No Programmers, No Apps, No Fuss.

With WattSet there is no smart device to keep up to date or charged up, just a simple manual control to select your desired output without any tools or expertise necessary.

**Available as an additional accessory.*

Product features



LUMEN BOOST COMPATIBLE



Discreet design or retro fit external shield.



Quick release gear tray.



Optics available with and without glass cover.



Tilting angle available.

- 
 Tool Free Access
- 
 CLO Available
- 
 Up to IK08
- 
 IP66
- 
 ZEBRA lens available
- 
 Lumen Boost Tune lumen output
- 
 Preset Dimming
- 
 Surge Protection – 10kV 10kA MLV (clamping voltage) 1.2kV
- 
 Lightweight LM6 aluminium

Lantern information

Weight	5kg	Lumen output range	543 - 16,094 lumens	RA/CRI index	>70 Standard >80 Available	CCT	3000k, 4000k	LX value	L90> 100,000 hours	Lumens per watt	Upto 180 lm/w
Windage	0.15 m ²	RAL codes	Black: RAL 9004 Grey: RAL 7040 Custom RAL available	Mounting sizes	76, 60, 48, 42, 34 mm	Mount height	3m to 12m				

Photometry



Website



Visit: www.orangetek.co.uk
 To find out more or call our sales Team
 +44 (0)1283 347 792

All facts and figures correct at time of printing, subject to change.

